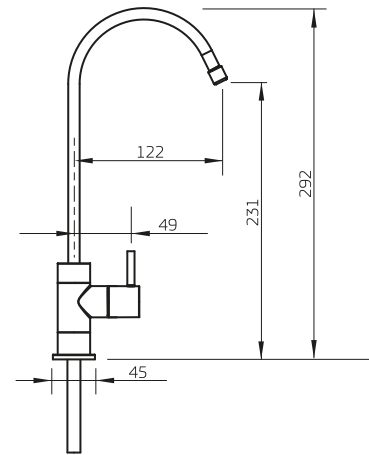


Z1 FILTER

A	B	C
90 mm	290 mm	77 mm



DFU180



**GENERAL INFO**

**DESIGNED FOR MAINS / TOWN WATER**

**Quick-Twist Undersink Water Filter System with High Loop LED Faucet**

The Puretec Z18 system uses premium grade carbon filtration. Enjoy water the way it should be, abundant, clear and beautiful tasting from your own water supply, any time of the day. The Z18 can also be used for ice machines, water coolers, refrigerators with ice makers, inline drinking water kits, coffee/vending machines etc.

**SPECIFICATIONS**

Model:	<b>Z18</b>
Faucet Model:	<b>DFU180</b>
Replacement Cartridge:	<b>Puretec Z1-R</b>
Min/Max Flow:	<b>0 - 5 Lpm</b>
Min/Max Temperature:	<b>0 - 38°C (protect from freezing)</b>
Min/Max Pressure:	<b>172 - 689 kPa</b>
Micron Rating:	<b>0.1 Micron*</b>
Capacity:	<b>23,000 litres</b>
Connection:	<b>½" BSP [15 mm]</b>
Tap Hole:	<b>12.5 mm diameter</b>
Filter WaterMark:	<b>AS/NZS 3497 Licence No. WM 74617 Australian Certification Services</b>
Warranty:	<b>10 years^</b>

*Important Note: Use only genuine Puretec replacement cartridge. ^10 year warranty is 1 year parts and labour, plus 9 years parts only. Excludes cartridges. \*Micron Rating is nominal.*

**FEATURES & BENEFITS**

- Filtration down to 0.1 micron\*.
- DIY quick-twist cartridge change.
- Premium ceramic high loop faucet with LED reminder light.
- Quick and easy installation.
- Reduces chlorine, pesticides, bad taste, odours, organic chemicals, bacteria, dirt, rust and 99.9% Giardia & Cryptosporidium cysts.
- Mounts horizontally or vertically - no shelf cutouts required.
- All plumbing fittings for standard installation included.
- Multifunction control valve included for pressure reduction, anti water hammer and dual check manufactured from chrome plated brass for reliability.
- 10 year warranty^.

**ADDITIONAL INFORMATION**

Designed to reduce harmful Cryptosporidium & Giardia cysts, rust, dirt, sediment, chlorine, algae and chemicals leaving beautiful fresh drinking water.

**Easy Home Installation**

This premium filter system easily fits under your existing kitchen bench. All plumbing fittings are included for easy installation. It comes with a designer faucet with LED that turns from blue to red when the filter needs replacing.

**Hygienic Quick Cartridge Changes**

The valve-in-head design shuts the water off automatically, which means no mess, the cartridge can be easily replaced - just like changing a light globe. Enjoy water the way it should be, abundant, clear and beautiful tasting from your own water supply, any time of the day.

**ULTRA Z FILTRATION TECHNOLOGY**



**Stage 1**

- Removes particles.
- Clarifies the water.
- Removes sediment, rust, sand, silt & algae.

**Stage 2**

- Chlorine and chloramine reduction.
- Eliminates bad taste and odours.
- Chemical pesticides & sulphur reduction.

**Stage 3**

- Ultra Z Filtration membrane finely filters to 0.1 micron\*.
- Provides protection against cysts and bacteria, such as E. coli.
- Removes the finest particles.

Protection from



Cysts



Rust



Sand & Silt



Pesticides



Sulphur



Algae